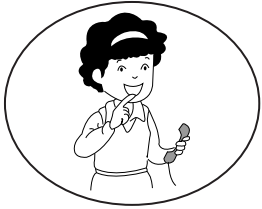


Warranty



To receive after-Sale service, have the following ready when you contact our branches

1. Name of the product
2. Model number of the product
3. The area of problem
4. Phone number and address at which you can be contacted.

Warranty Card

PRODUCT	
MODEL	
DATE PURCHASED	
WARRANTY PERIOD	
AGENCY ADDRESS	

■ KOCOM Warranties the original purchaser of product as follows.

- 1) This product is produced under strict quality control and inspection procedures.
- 2) If this product breaks down during proper use as a result of product defect, KOCOM will repair it within one year from date of purchase free of charge.
- 3) The following cases will be subject to charge, even during warranty period :
 - a. Breakdown during transport, or through careless treatment, by consumer.
 - b. Breakdown cause by unauthorized repair or system modification.
 - c. Breakdown caused by natural disaster or power disorder.

KOCOM CO.,LTD.

<http://www.kocom.com>

E-mail : export@kocom.co.kr

This manual is based on the date as shown in the right and specifications are subject to change without notice for quality improvement.

KC-MD10 05.09

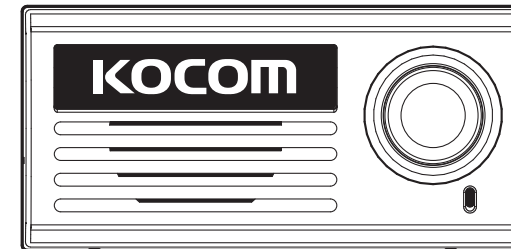
KOCOM®

MINI METAL DOOR PANEL

KC-MD10 User's Manual for Operation and Installation

◆ Features

- ▶ Inner line call and communication with in the house.

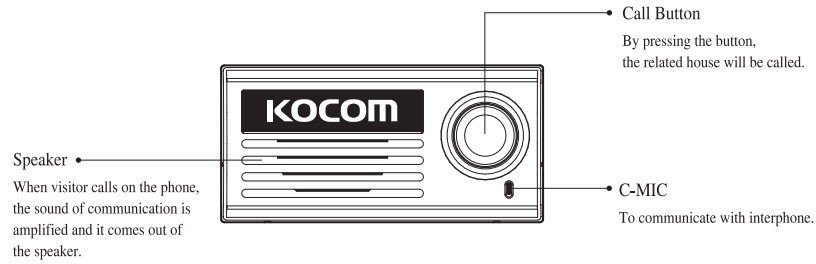


KOCOM CO.,LTD.

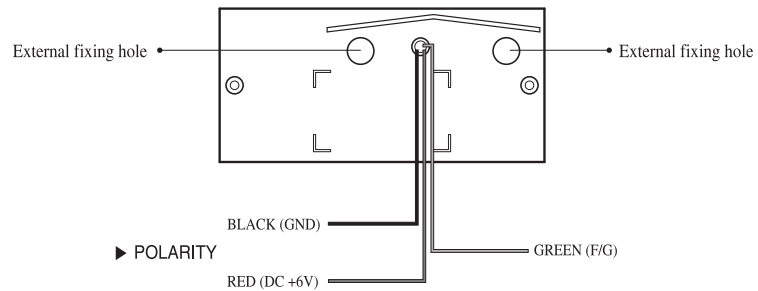
Component's Name

■ Mini Metal Door Panel KC-MD10

▶ FRONT PART



▶ REAR PART

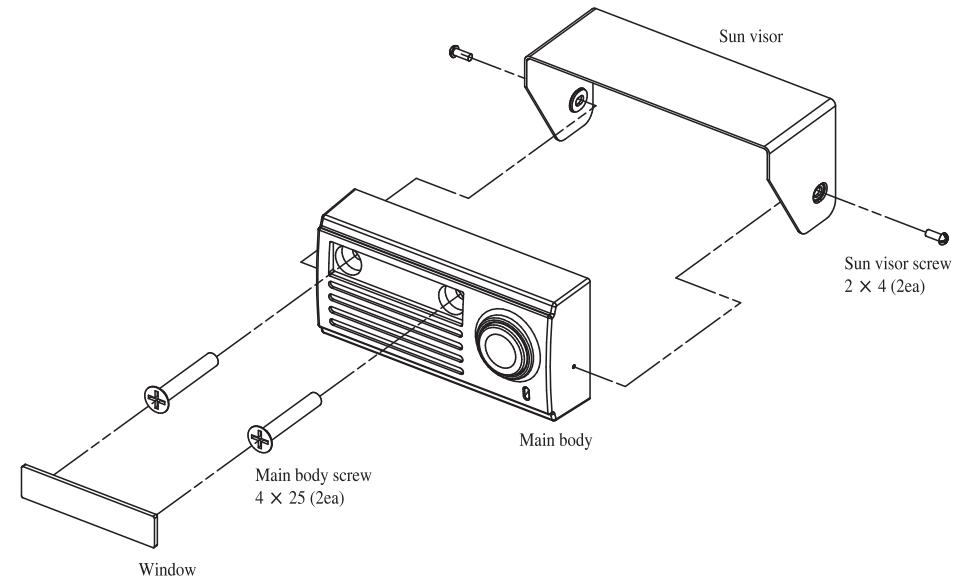


Specifications

KC-MD10		
MINI METAL DOOR PANEL	Power Source	DC +6V (Power from Interphone)
	Power Consumption	Max : 120mW (IN LOAD)
	Assurance Temperature	-10°C ~ 50°C
	Dimension	78(W) × 39(H) × 20(D)mm
	Color	Silver
	Installation Maximum Distance	IV 0,65Ø 300M

Installation

■ Mini Metal Door Panel KC-MD10



※ CAUTION

1. Do not drop and avoid strong impact.
2. For installation, avoid the places of high or low temperature, high humidity, or the places getting strong direct sun light.